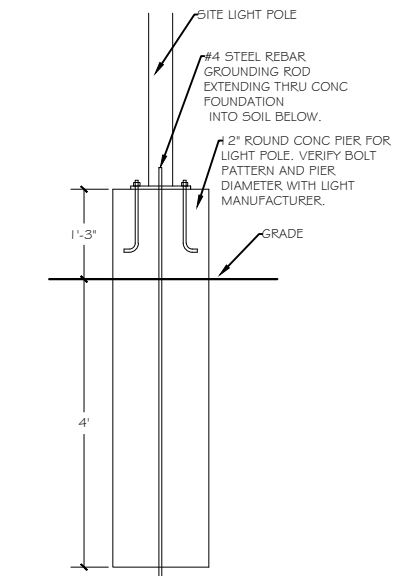
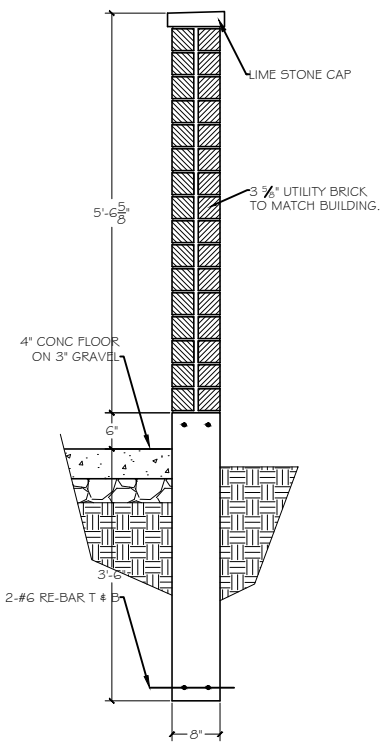


**SITE NOTES:**

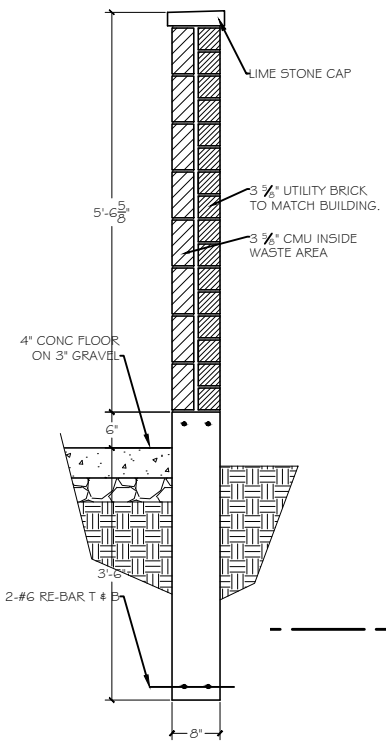
- 1 - 6' SOLID WOOD FENCE
- 2 - 5' SOLID WOOD FENCE WITH GUARD RAIL
- 3 - 6' TALL 45' LONG 8" BRICK WALL TO MATCH BUILDING. SEE DETAIL.
- 4 - PREORDER SIGN BOARD
- 5 - MENU BOARD
- 6 - WASTE AREA: 6' TALL BRICK TO MATCH BLDG. SEE DETAIL.
- 7 - MOVE EXISTING MOBIL POLE SIGN TO A POINT 12" WEST OF PROPERTY LINE. SEE SIGN SHEET A7 FOR DETAILS.
- 8 - INSTALL NEW POLE LIGHT. SEE DETAIL.
- 9 - REMOVE EXISTING CONC DRIVE AND REPLACE WITH NEW CURBING AND GRASSED AREA IN PARKWAY.
- 10 - 4' DECORATIVE IRON FENCE FROM HARVARD CURB CUT TO SOUTHERN HARLEM CURB CUT. (STOP 4' SHORT OF DRIVEWAYS).
- 11 - "DRIVE THRU" SIGN.



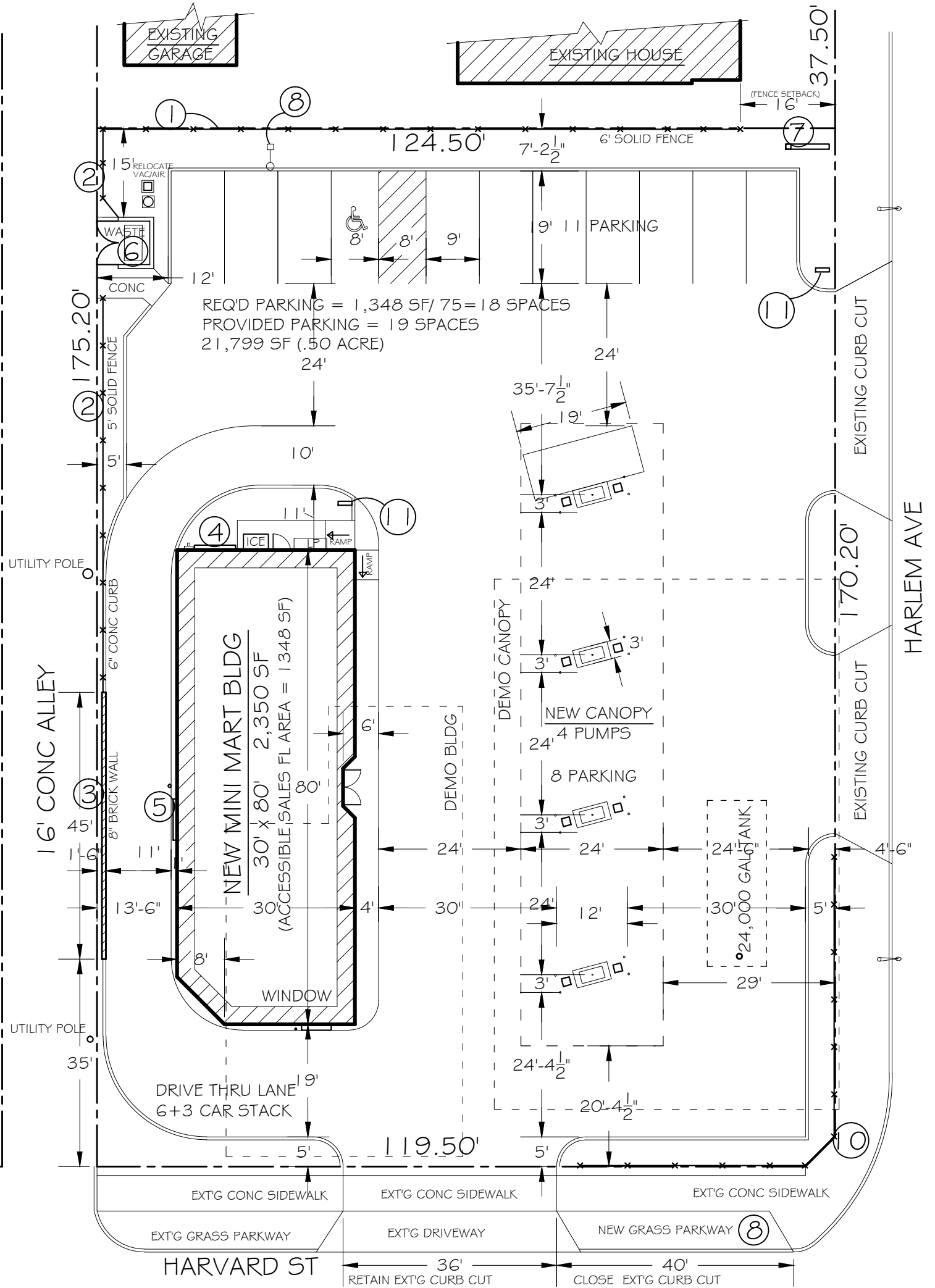
⑧ POLE BASE DETAIL  
SCALE: 3/8" = 1'-0"



③ 6' BRICK WALL SECTION  
SCALE: 3/8" = 1'-0"



⑥ REFUSE WALL SECTION  
SCALE: 3/8" = 1'-0"



SITE PLAN  
SCALE: 1" = 20'